



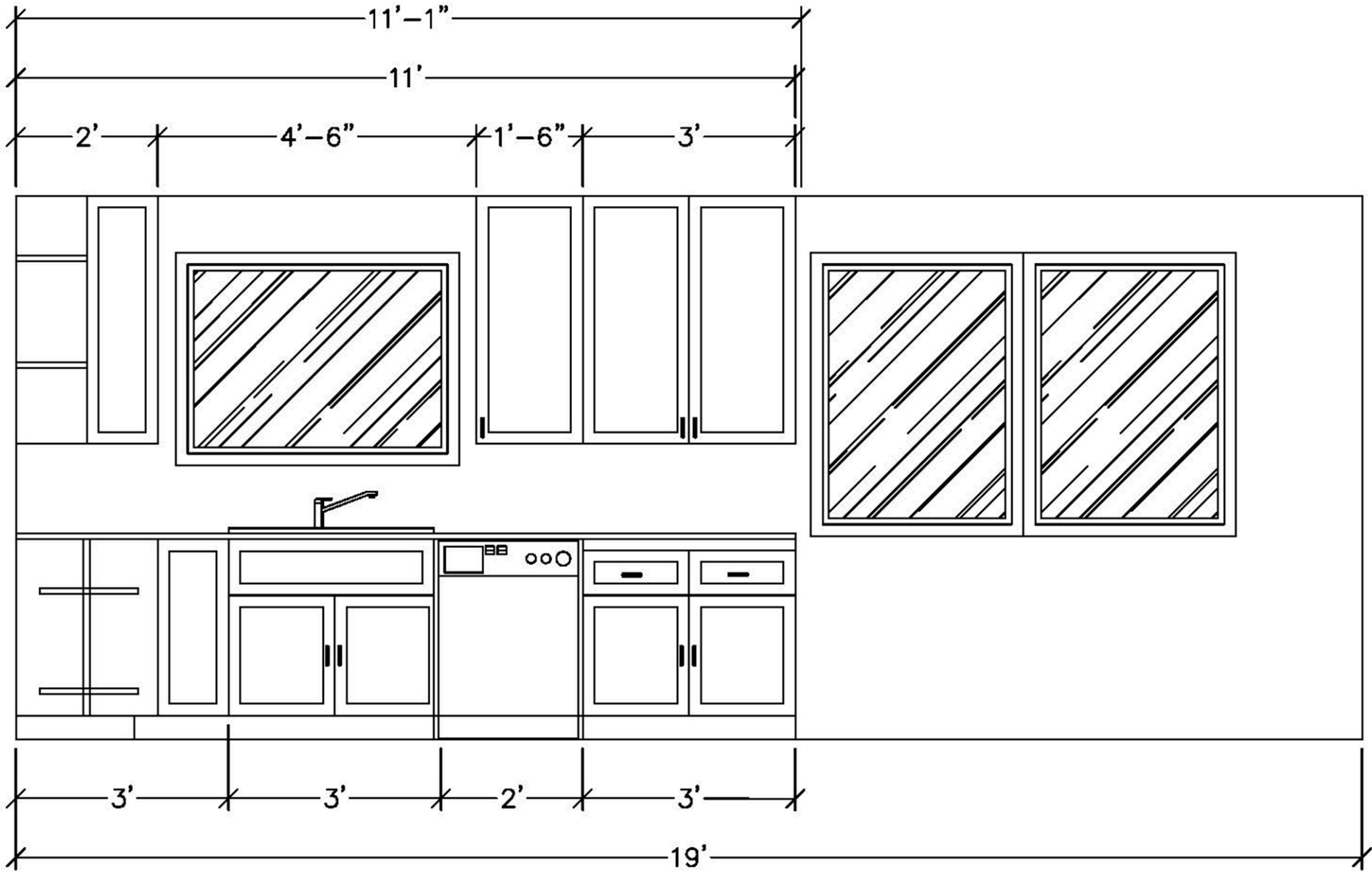
2266 ALLERTON, OSHKOSH, WI  
 FEBRUARY 20, 2019  
 SCALE: 1/2" = 1'0" (PRINTED 8 1/2 X 11)

TABLE OF CONTENTS  
 KITCHEN REMODELING

A0

A1	NORTH ELEVATION
A2	SOUTH ELEVATION
A3	WEST ELEVATION
A4	BASE CABINETS
A5	WALL CABINETS

TABLE OF CONTENTS



NORTH ELEVATION



2266 ALLERTON, OSHKOSH, WI

FEBRUARY 20, 2019

SCALE: 1/2" = 1'0" (PRINTED 8 1/2 X 11)

NORTH ELEVATION

KITCHEN REMODELING

A1



2266 ALLERTON, OSHKOSH, WI

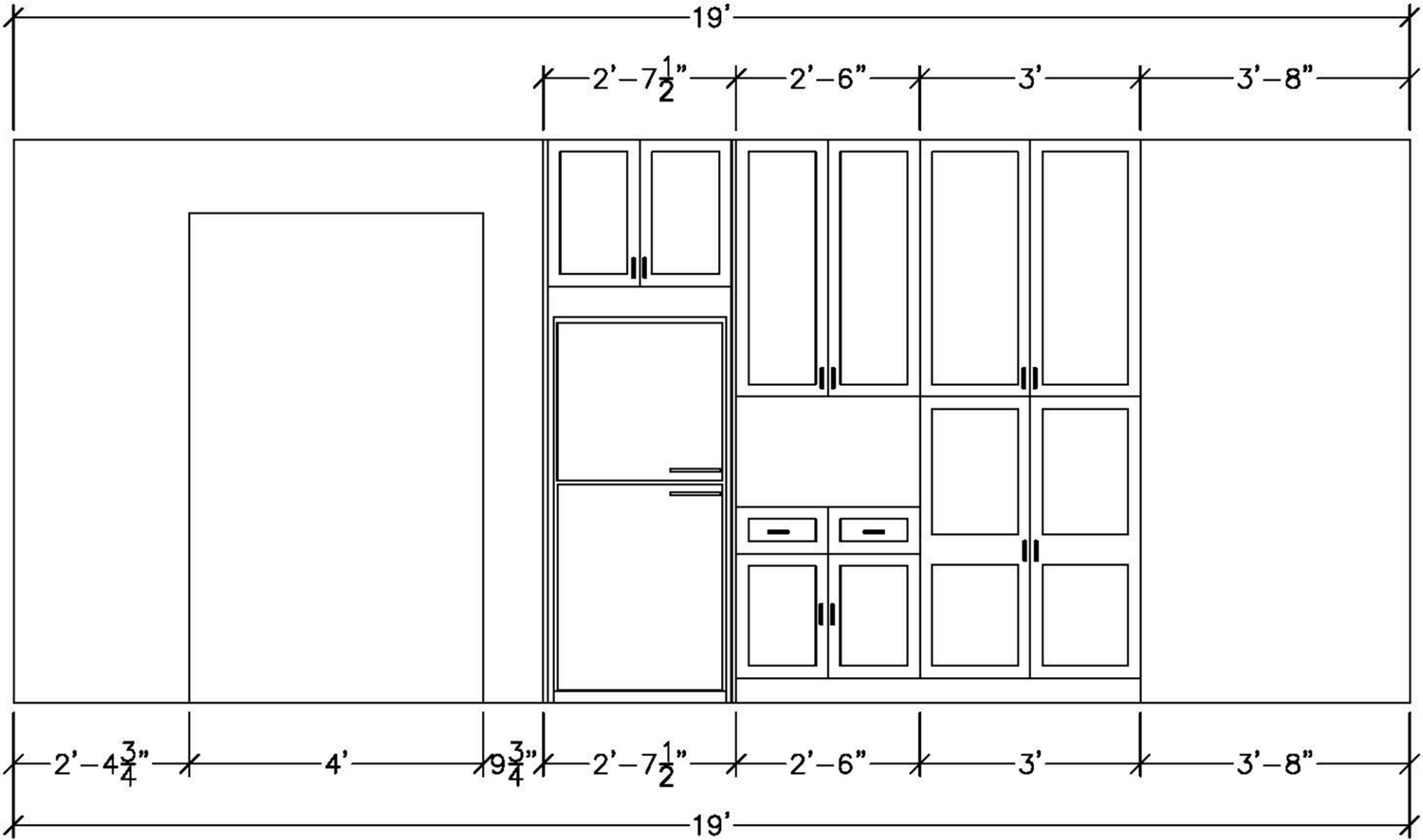
FEBRUARY 20, 2019

SCALE: 1/2" = 1'0" (PRINTED 8 1/2 X 10)

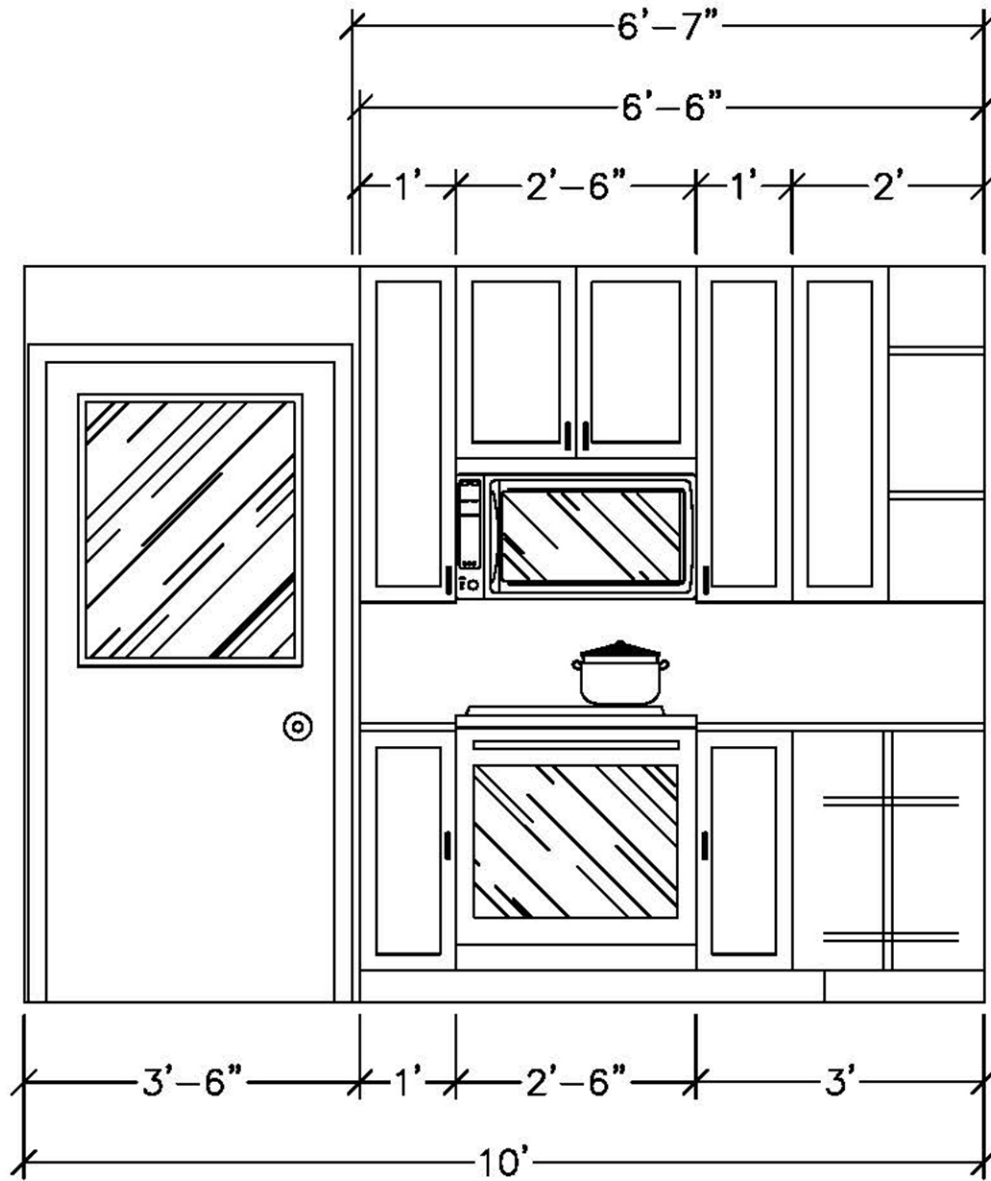
SOUTH ELEVATION

KITCHEN REMODELING

A2



SOUTH ELEVATION



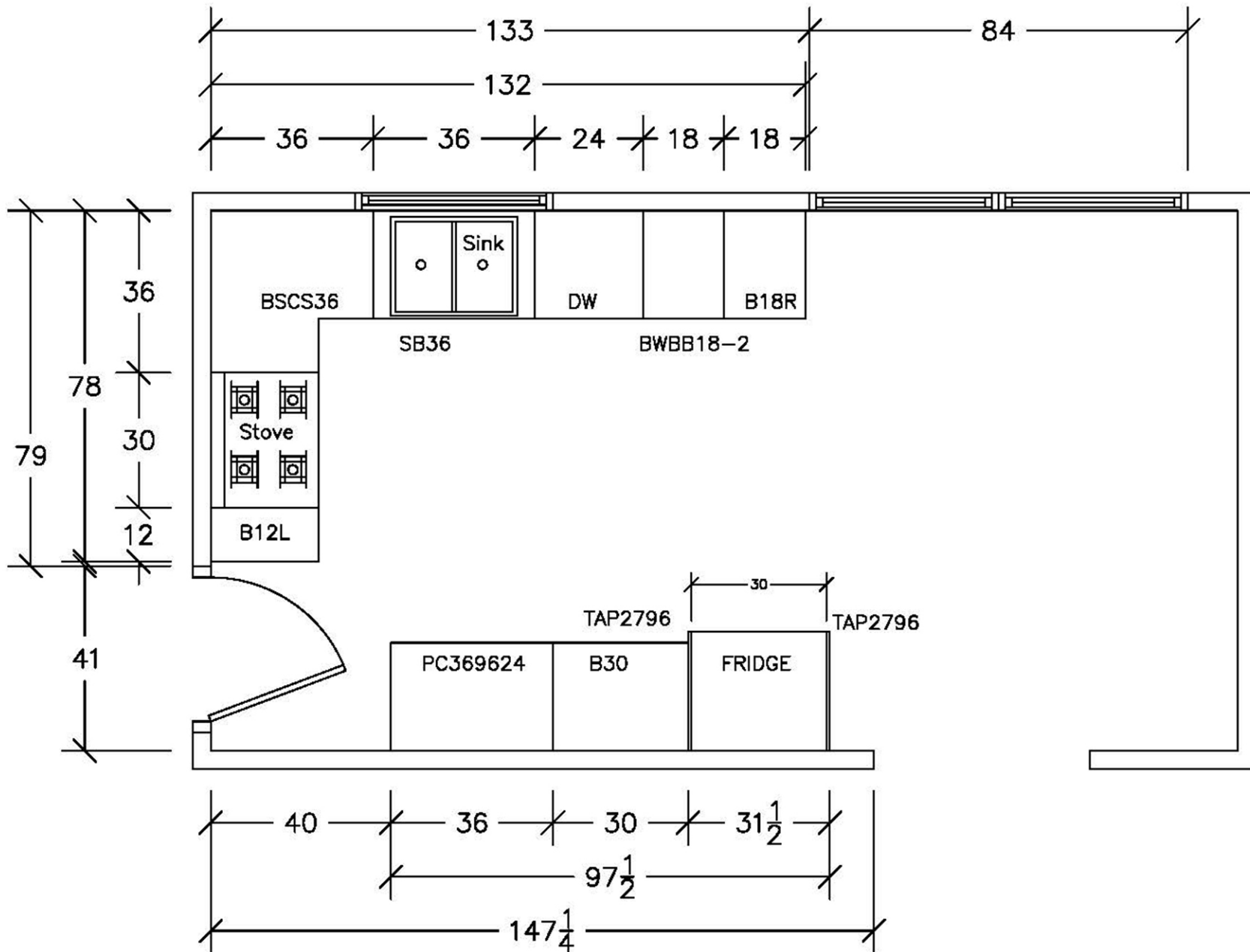
WEST ELEVATION



2266 ALLERTON, OSHKOSH, WI  
 FEBRUARY 20, 2019  
 SCALE: 1/2" = 1'0" (PRINTED 8 1/2 X 11)

WEST ELEVATION  
 KITCHEN REMODELING

A3



BASE CABINETS



2266 ALLERTON, OSHKOSH, WI

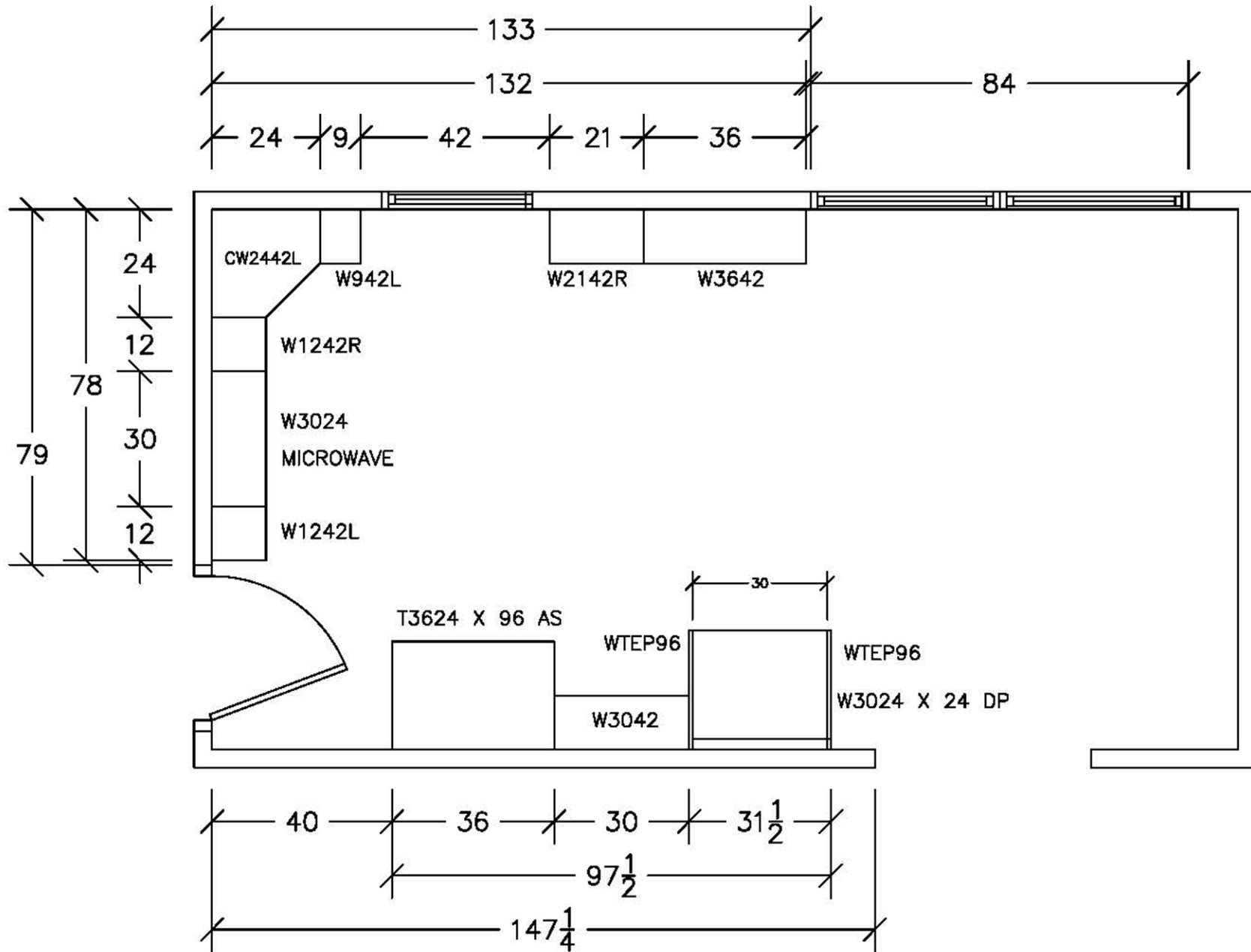
FEBRUARY 20, 2019

SCALE: 3/8" = 10' (PRINTED 8 1/2 X 11)

BASE CABINETS FLOOR PLAN

KITCHEN REMODELING

A4

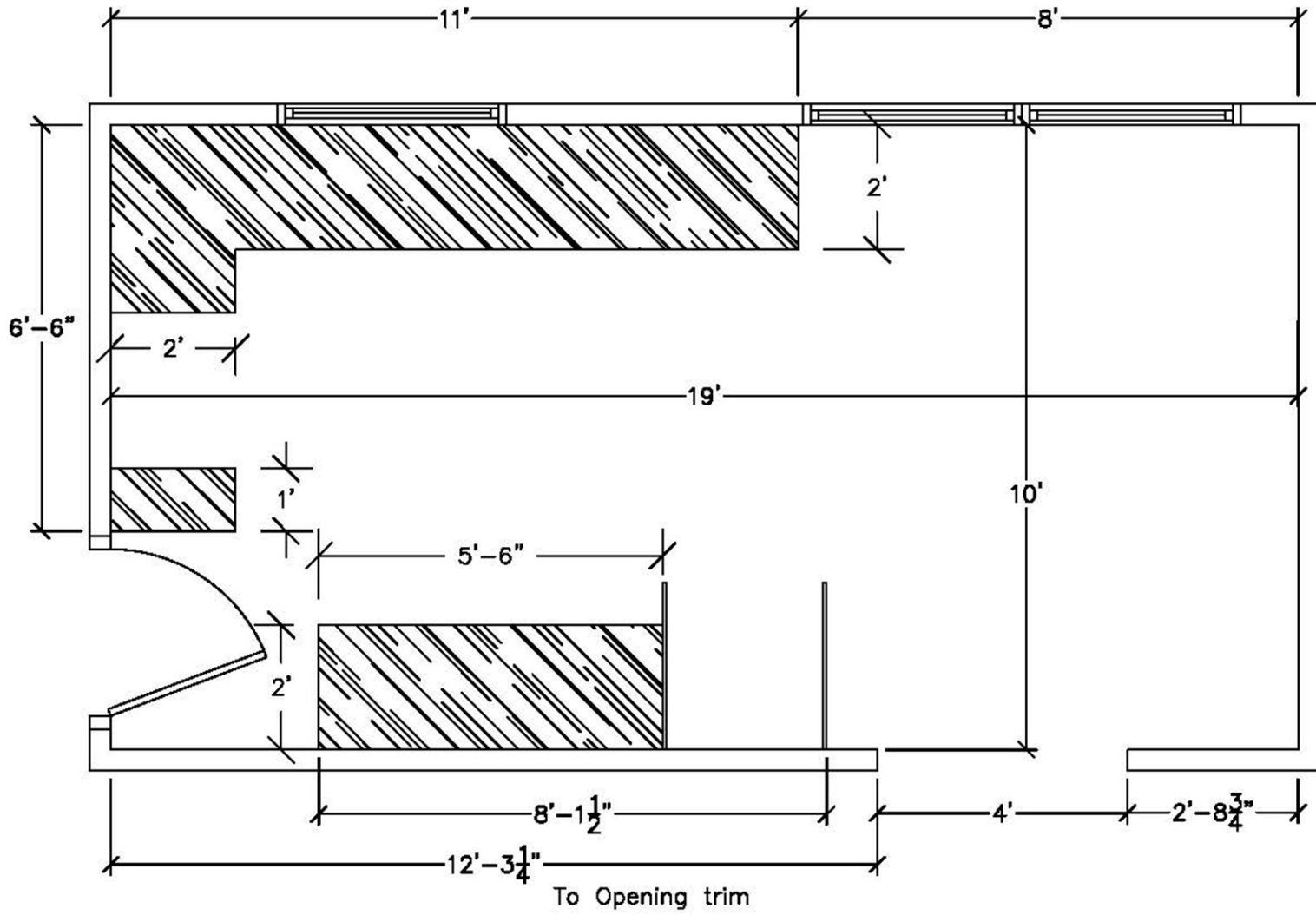


2266 ALLERTON, OSHKOSH, WI  
 FEBRUARY 20, 2019  
 SCALE: 3/8" = 10' (PRINTED 8 1/2 X 11)

WALL CABINETS - FLOOR PLAN  
 KITCHEN REMODELING

A5

WALL CABINETS



2266 ALLERTON, OSHKOSH, WI  
 FEBRUARY 20, 2019  
 SCALE: 3/8" = 10' (PRINTED 8 1/2 X 11)

COUNTER TOPS  
 KITCHEN REMODELING

A6

COUNTER TOPS